

Description

Compact high quality corrosion resistant charging valves based on Ministry of Defence Approved designs (Approval numbers available). Originally designed for pneumatic or hydraulic systems, these valves can be used with a range of fluids and gases subject to the correct valve seat specification being selected.

Application (standard valve seat materials - see table below)

Nitrile Seats:

- Temperature range : -25°C to 120°C
- Suitable for nitrogen, air or hydraulic applications (select correct valve nose form)
- Not suitable for phosphate ester hydraulic fluids or automotive brake fluids

Butyl Seats:

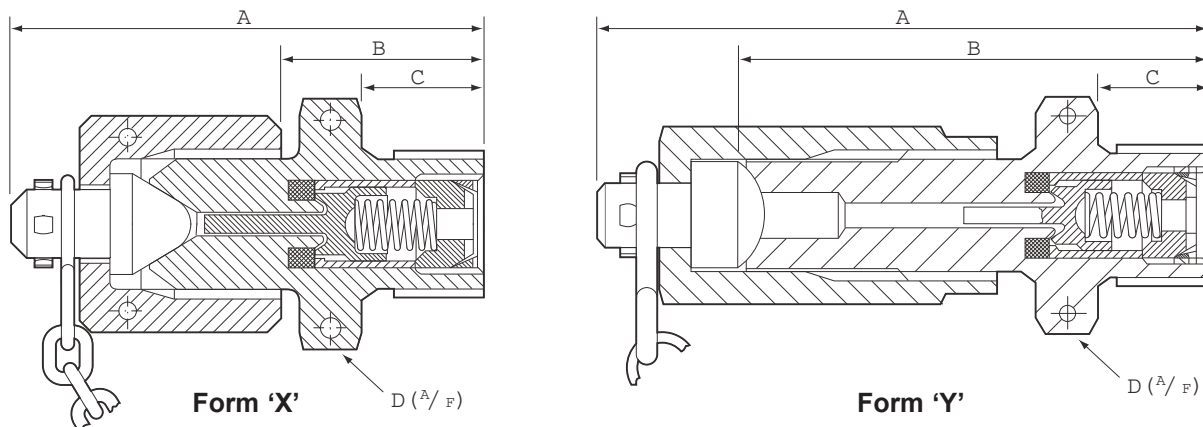
- Temperature range : -25°C to 100°C
- Specify for use with phosphate ester hydraulic fluids (including Skydrol)

IMPORTANT NOTE: For other gases or fluids consult your Chalwyn agent.

Specification

- **Materials:** All metallic components treated for corrosion resistance
- **Maximum operating pressure:** 275 bar

Standard Range



Type (Previous code in brackets)	Threads		Form	Approx Dimensions (inches)				Standard Seat Material
	Inlet	Outlet		A	B	C	D	
GYP - 200 (A58/2)	¼" BSP	¼" BSP	X	1.93	1.12	0.44	0.71	NITRILE
GYP - 210 (AGS2096B)	¼" BSP	¼" BSP	X	1.93	1.12	0.44	0.71	NITRILE
GYP - 220 (A189)	⅜" UNF	⅜" UNF	X	1.93	1.12	0.44	0.82	NITRILE
GYP - 230 (AGS3034B)	⅜" UNF	⅜" UNF	X	1.93	1.12	0.44	0.82	NITRILE
GYP - 240 (A190/2)	¼" BSP	¼" BSP	Y	2.5	1.84	0.44	0.71	NITRILE
GYP - 250 (A115)	⅜" UNF	¼" BSP	X	1.84	1.24	0.44	0.71	NITRILE
GYP - 260 (A140)	⅜" BSP	¼" BSP	X	1.93	1.17	0.44	0.71	NITRILE
GYP - 270 (A827)	¼" BSP	⅜" UNF	Y	2.5	1.84	0.44	0.82	NITRILE
GYP - 280 (A832)	⅜" UNF	⅜" UNF	X	1.84	1.24	0.44	0.82	NITRILE
GYP - 290 (A1032)	¼" BSP	⅜" UNF	Y	2.5	1.84	0.44	0.82	NITRILE

Chalwyn by AMOT

sales@chalwyn.co.uk
www.chalwyn.com

A division of Roper Industries Limited

UK

Western Way
Bury St Edmunds
Suffolk, IP33 3SZ
Tel: +44 (0)1284 715739
Fax: +44 (0)1284 715747
CE307_gyp_charging_valves

USA

8824 Fallbrook Drive
Houston
TX 77064
Tel: +1 (281) 940 1800
Fax: +1 (713) 559 9419

