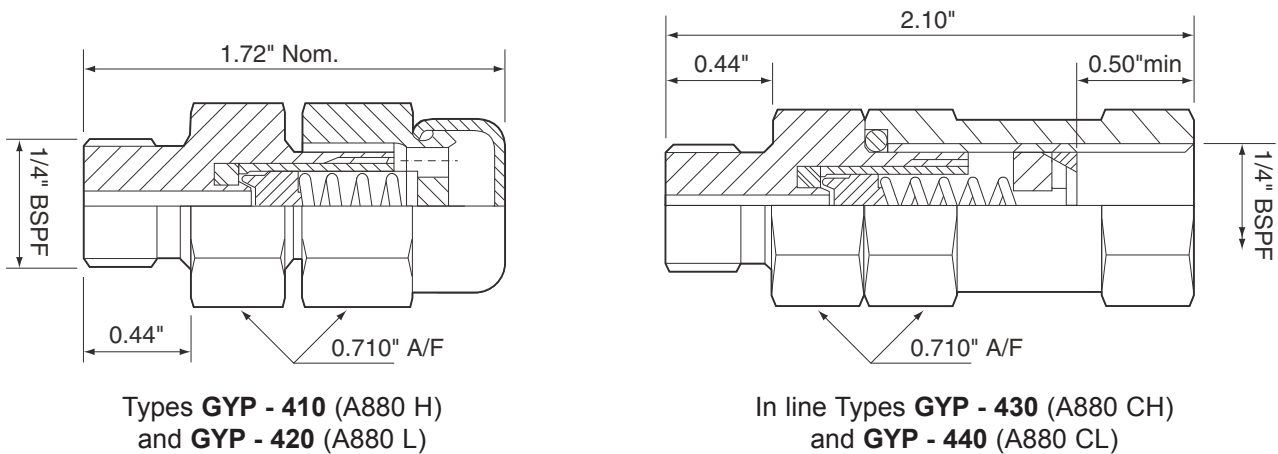


Description

Compact high quality stainless steel relief valves for "in-line" and "end-of-line" applications. Originally designed for pneumatic or hydraulic systems these valves can be used with a range of fluids, and gases subject to the correct valve seat specification being selected. Designed for easy dismantling for cleaning or replacement of the valve seat. The valves are also easily re-set within their operating range.

Dimensions



Specification

- All stainless steel construction with synthetic rubber valve seats
- Standard seat material : Nitrile
- Standard temperature range : -30°C to 100°C
- Standard seat material is suitable for nitrogen, air and hydraulic systems but not phosphate ester hydraulic fluids or brake system fluids. Check with Chalwyn for alternative seat material options where applicable.
- Operating ranges:
 - GYP - 410 and GYP - 430 : 7 bar to 34.5 bar
 - GYP - 420 and GYP - 440 : 0.35 bar to 8 bar

NOTE:

When ordering please state:

- Type of gas or fluid involved
- Setting pressure required

Chalwyn by AMOT

sales@chalwyn.co.uk
www.chalwyn.com

A division of Roper Industries Limited

UK

Western Way
Bury St Edmunds
Suffolk, IP33 3SZ
Tel: +44 (0)1284 715739
Fax: +44 (0)1284 715747

USA

8824 Fallbrook Drive
Houston
TX 77064
Tel: +1 (281) 940 1800
Fax: +1 (713) 559 9419

